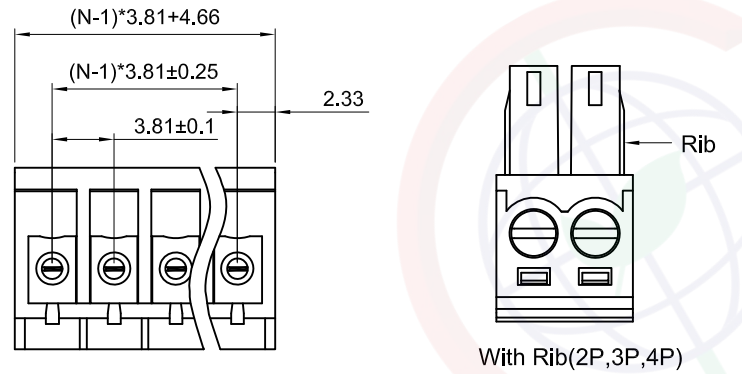


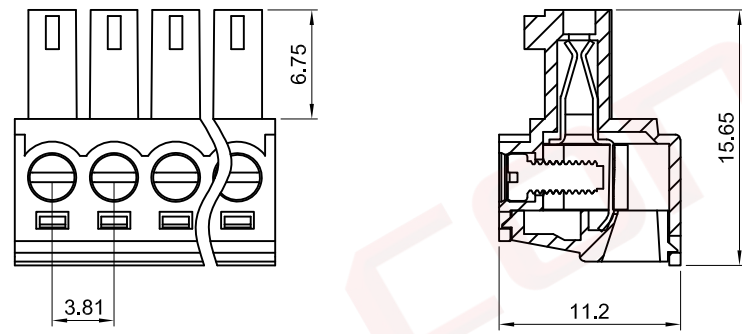
The information provided herein is from CONNELY Electronic Co., Ltd. and is confidential. Any disclosure to a party other than the recipient is prohibited. The intellectual properties and its rights contained herein, including but not limited to, trademarks, patents, copyrights, trade secrets, and technical know-how, are owned exclusively by CONNELY or its affiliates. Unauthorized use of this information in any format or manner. CONNELY may enforce its intellectual property rights at its own discretion; failures or delays to exercise such rights does not constitute a waiver of such rights.

1 2 3 4 5 6 7 8

REV.	DESCRIPTION	DRAWN	CHECKED	APPROVED
A	NEW RELEASE	JLZ 06/27/22'		
B	DRAWING UPDATE	JLZ 07/06/24'		

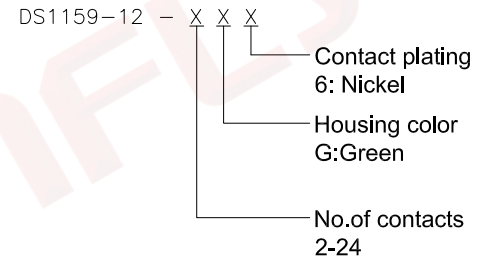


N=No.of contacts



(Series Image-Reference Only)

NOTES:
 Standard UL
 Rated voltage:300V
 Rated current:8A
 Wrth standing voltage:AC 1000V/1 Min
 Wire range:28~16AWG
 Temp.Range:-40°C~+105°C
 Pitch:3.81mm
 Poles:2~24P
Materials:
 Contact: Copper Alloy,Nickel plated.
 Insulator: Nylon.
 Wire guard:Copper Alloy,Nickel Plated.
 Screw:M2,Steel,Zinc Plated.
 Product Number Code:



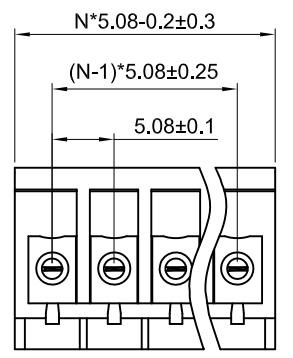
GENERAL TOLERANCE		ANGLE TOLERANCE		PROJECTION	TITLE
X.	±0.60	X.	±5°		
.X	±0.38	.X	±3°	mm	
.XX	±0.25	.XX	±2°	A4	SERIES DS1159-12 SERIES
DRAWING TYPE		CUSTOMER		晨翔电子有限公司 CONNELY CONNELY ELECTRONIC CO. LTD	
SCALE		1:1	SHEET 1 OF 1		
DRAWING NO.		C-DS1159-12-XXX-B			

1 2 3 4 5 6 7 8

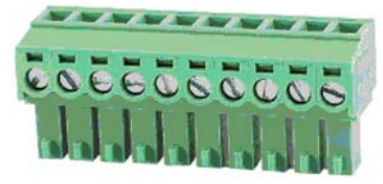
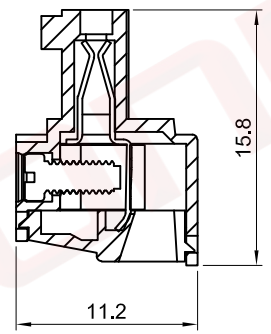
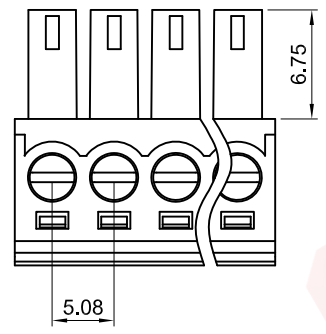
The information provided herein is from CONNELY Electronic Co., Ltd. and is confidential. Any disclosure to a party other than the recipient is prohibited. The intellectual properties and its rights contained herein, including but not limited to, trademarks, patents, copyrights, trade secrets, and technical know-how, are owned exclusively by CONNELY or its affiliates. Unauthorized use of this information in any format or manner. CONNELY may enforce its intellectual property rights at its own discretion; failures or delays to exercise such rights does not constitute a waiver of such rights.

1 2 3 4 5 6 7 8

REV.	DESCRIPTION	DRAWN	CHECKED	APPROVED
A	NEW RELEASE	JLZ 06/27/22'		
B	DRAWING UPDATE	JLZ 07/06/24'		

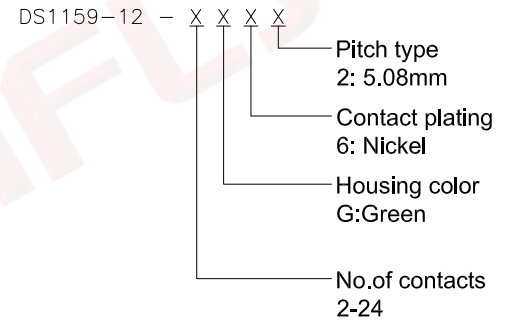


N=No.of contacts



(Series Image-Reference Only)

NOTES:
 Standard UL
 Rated voltage:300V
 Rated current:8A
 Wrth standing voltage:AC 1000V/1 Min
 Wire range:28~16AWG
 Temp.Range:-40°C~+105°C
 Pitch:5.08mm
 Poles:2~24P
Materials:
 Contact: Copper Alloy,Nickel plated.
 Insulator: Nylon.
 Wire guard:Copper Alloy,Nickel Plated.
 Screw:M2,Steel,Zinc Plated.
 Product Number Code:



GENERAL TOLERANCE		ANGLE TOLERANCE		PROJECTION	TITLE
X.	±0.60	X.	±5°		5.08mm PCB Terminal Blocks Plug Type
.X	±0.38	.X	±3°	mm	
.XX	±0.25	.XX	±2°		
DRAWING TYPE		CUSTOMER		SHEET SIZE	SERIES
SCALE		1:1	SHEET	A4	DS1159-12 SERIES
DRAWING NO.		C-DS1159-12-XXXX-B		1 OF 1	

晨翔电子有限公司
CONNELY CONNELY ELECTRONIC CO. LTD

1 2 3 4 5 6 7 8